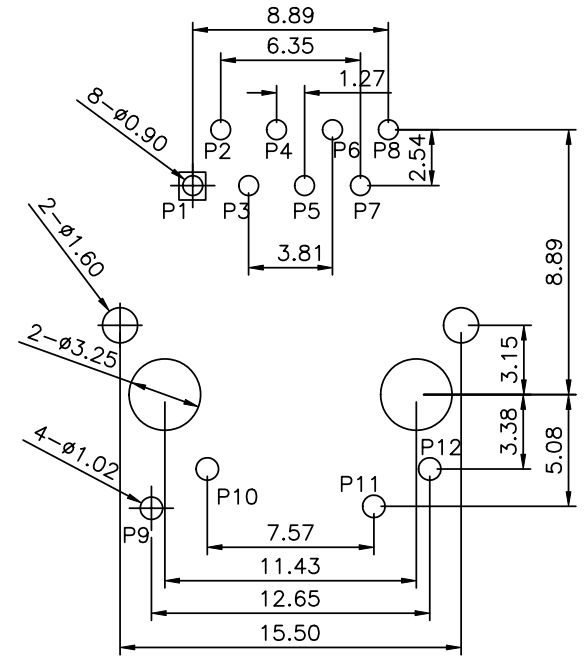
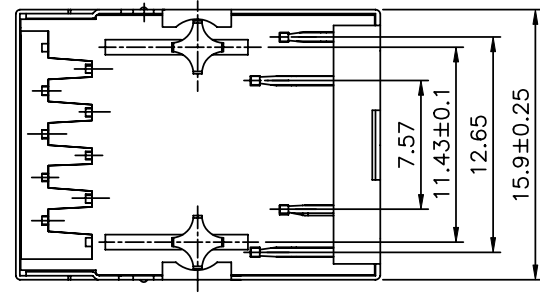
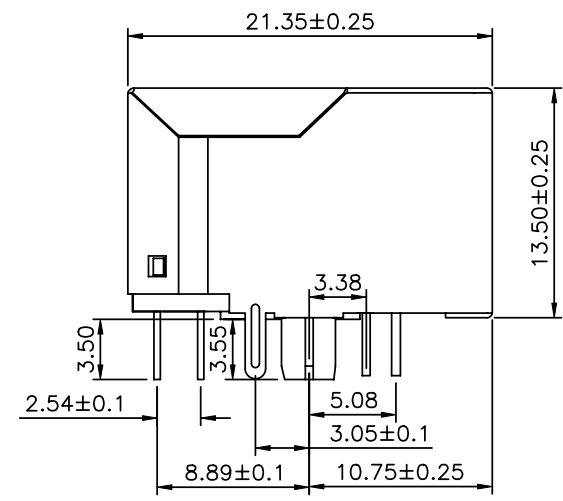
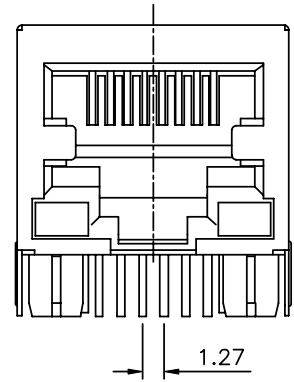


SPECIFICATION

Connector Material:
 Housing:Thermoplastic UL94V-0
 Contact/Shield:Cooper Alloy
 Shield Plating:Nickel
 Contact Plating:Selective Gold Plated In Contact Area
 Pin Not Electrically Connected Maybe Omitted See
 Electrical Drawing For Omitted Pins
 Tolerances Comply With FCC Dimension Requirements
 Wave Solder Compatible-Preheat 125°C/90Secs
 RoHS Compliant



PCB Recommended Hole Layout Seen From Component Side All Centerline Dimensions Are Basic

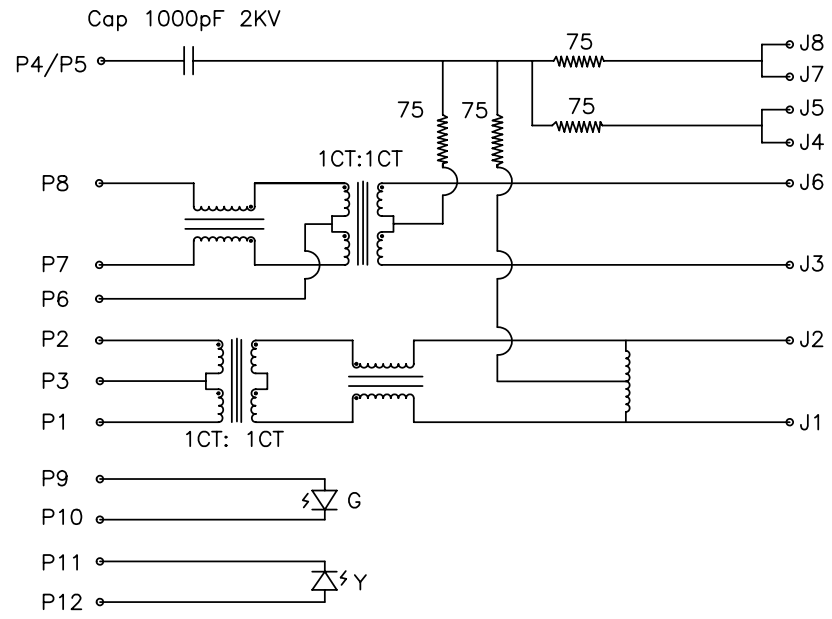


LED Specification			
Standard LED	Wavelength	Forward V(Max)	Typ
Green	565nm	2.4V	2.2V
Yellow	590nm	2.5V	2.1V

4UCON 元化興業股份有限公司
 4UCON TECHNOLOGY INC.

DRAWING No.		APPROVED BY		UNLESS OTHERWISE SPECIFIED TOLERANCES ARE .X ±0.25 ANG:
19154		MEI		
		CHECKED BY HZF		
		DRAWING BY JLT		
SCALE	NONE	REV.	A0	UNIT mm

△ A0	NEW RELEASE	HZF	03/17/2008
NO.REV.	REVISIONS	CHK	DATE



Electrical Specifications:

- 1.0 Turn Ratio:(P1~P2):(J1~J2):1:1±3%
(P7~P8):(J3~J6):1:1±3%
- 2.0 Inductance:(P1~P2):350uH Min@0.1V,100KHz,8mA DC Bias
(P7~P8):350uH Min@0.1V,100KHz,8mA DC Bias
- 3.0 Leakage Inductance:P1~P2(With J1 And J2 Short):0.35uH Max @1 MHz
P7~P8(With J3 And J6 Short):0.35uH Max @1 MHz
- 4.0 Interwindind:Capacitance:(P1~P2):(J1~J2):35pF Max @ 1MHz
(P7~P8):(J3~J6):35pF Max @ 1MHz
- 5.0 DC Resistance:(J1~J2):(P7~P8):1.2 Ohms Max
- 6.0 Return Loss:1MHz~30MHz:-18dB Min
30MHz~80MHz:-12dB Min
- 7.0 Dielectric Withstand:(P1~P2):(J1~J2):1500VAC
(P7~P8):(J3~J6):1500VAC
- 8.0 Insertion Loss:Rs=RL=100 Ohm
100KHz~80MHz:-1.2dB Min
- 9.0 Cross Talk:1MHz~100MHz:35dB Typ
- 10.0 Common~Common Mode Attenuation:30MHz~100MHz:30dB Typ

4UCON 元化興業股份有限公司
4UCON TECHNOLOGY INC.

DRAWING No.		APPROVED BY		UNLESS OTHERWISE SPECIFIED TOLERANCES ARE .X ±0.25 ANG:
19154		MEI		
		CHECKED BY HZF		
		DRAWING BY JLT		
SCALE	NONE	REV.	A0	UNIT mm

NO.	REV.	REVISIONS	CHK	DATE
△ A0		NEW RELEASE	HZF	03/17/2008